

Steinway & Sons Model B  
**INSTALLATION  
MANUAL**

# TABLE OF CONTENTS

TABLE OF CONTENTS .....	2
INTRODUCTION TO THE MODEL B.....	3
UNPACKING MODEL B MUSIC SYSTEM.....	3
SYSTEM PLACEMENT IN THE ROOM.....	9
CONNECTION OF EQUIPMENT .....	10
FIXED INSTALLATION .....	13
ROOM CORRECTION INTRODUCTION .....	14
CLEANING THE SPEAKER.....	14
STORING THE SPEAKER.....	14
REPACKING OF MODEL B MUSIC SYSTEM .....	14
SERVICE INFORMATION.....	15

# INTRODUCTION TO THE MODEL B

## **Safety Warnings**

### ***Physical Handling***

The Model B loudspeakers are very heavy and large. They can be difficult to handle. Follow all instructions for unpacking and installation. Use ergonomically correct body positions. Be careful not to unbalance the large speaker systems during handling. Steinway Lyngdorf cannot be held responsible for any physical damage which occurs during the installation process.

## UNPACKING MODEL B MUSIC SYSTEM

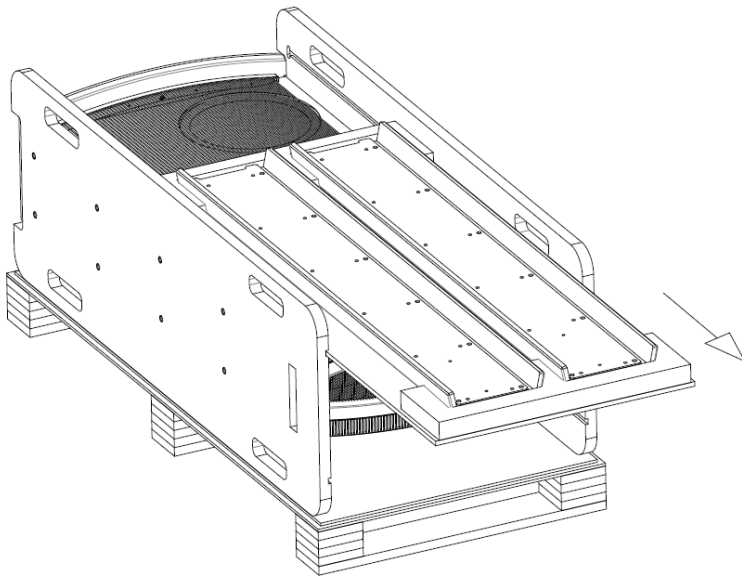
Each crate holds a single Model B loudspeaker mounted on transport side panels, which secures the loudspeakers during transportation as well is of use when lifting the loudspeaker into its final position.

The crates have been assembled using the Clip-Lok packaging system. It does not require any tools to reveal the Model B by removing the clips.

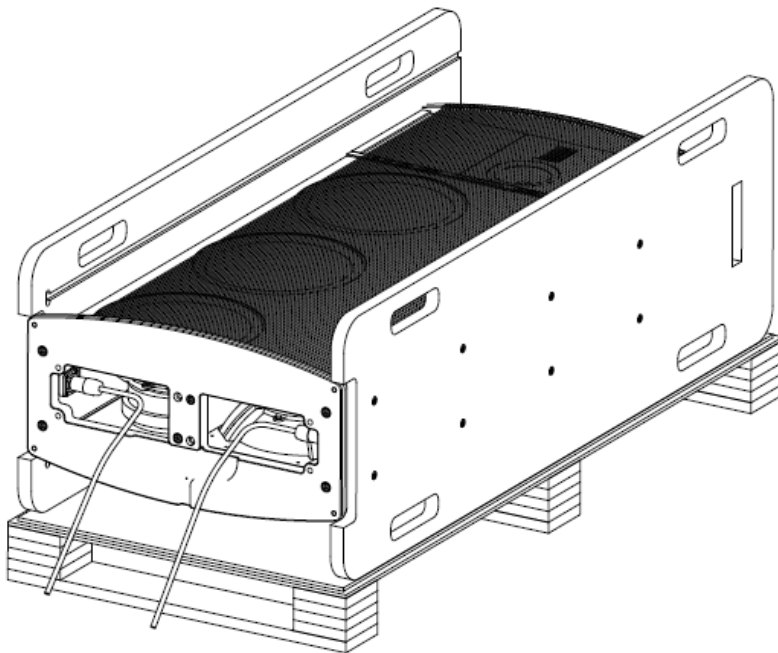
Once you have unclipped the box, remove the top. In each box you will also find the following items:

- Decorative Side Panels (2 pcs)
- Screwdriver, type Tx30, for removing the transport side panels
- Allen Key, Hex4, for mounting the decorative side panels
- Spike Kit (4 pcs) holding both pointed and rubber pad spikes
- Speakon Plugs, NL4FC, (2 pcs)

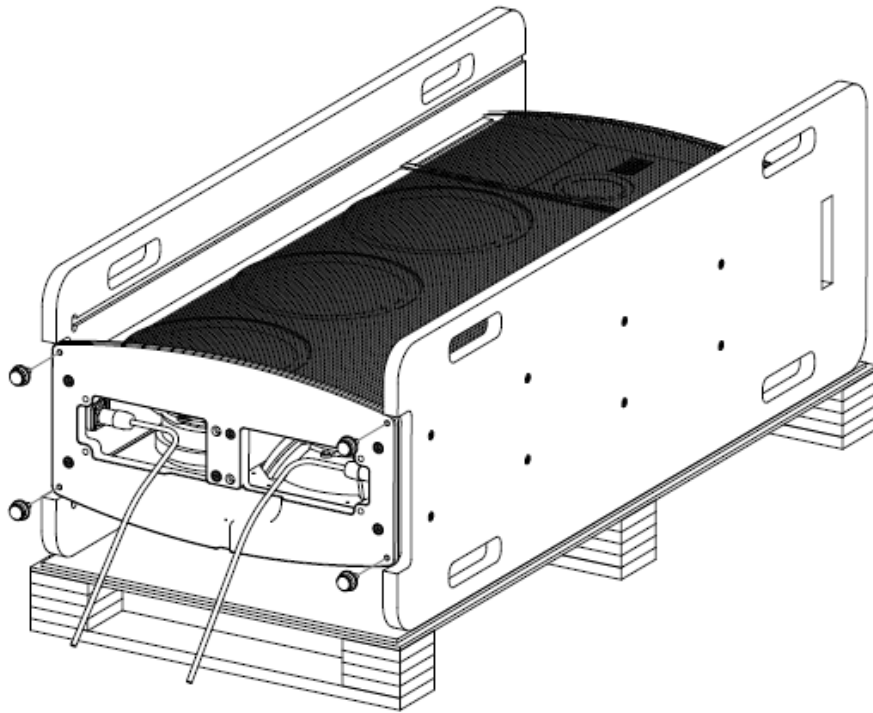
Start by removing the board with the decorative panels by sliding it out of the speaker



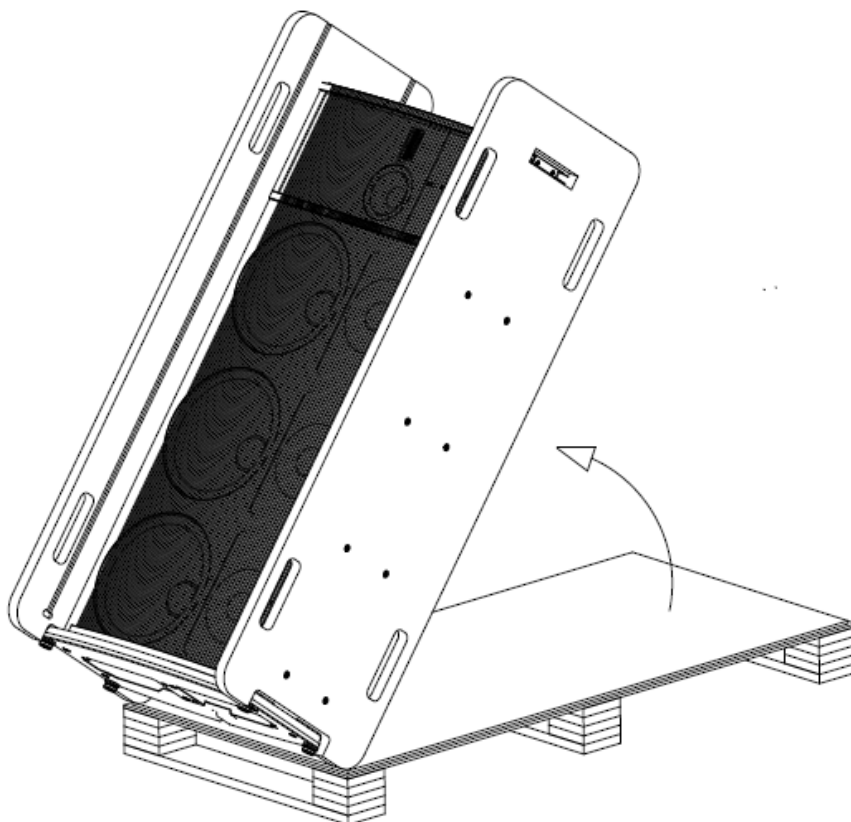
Now is the optimal time to access the Speakon connectors under the Model B.



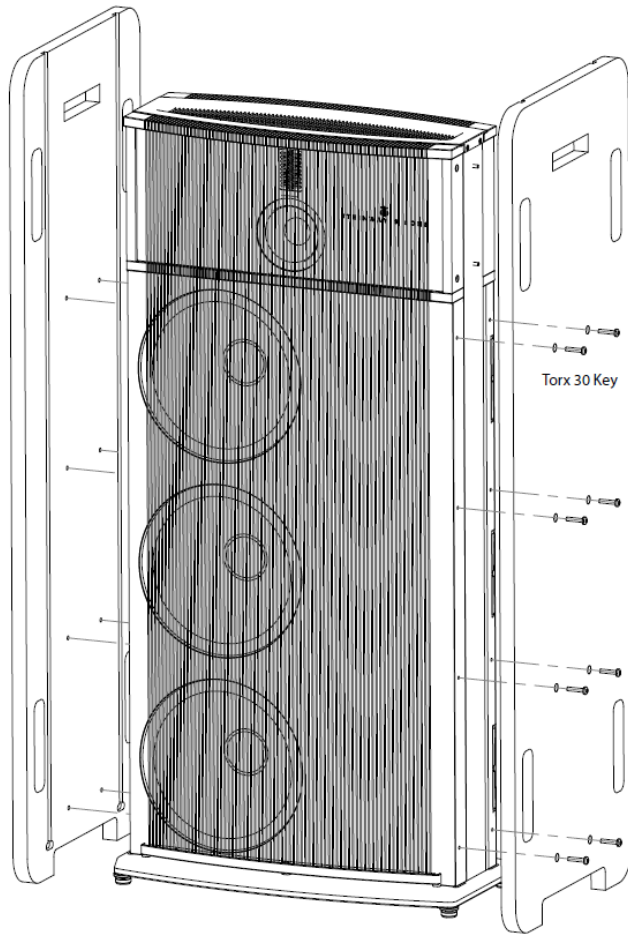
Now mount the selected Spikes on the Model B



Now you can tip the Model B off the pallet onto its Spikes. Beware: The speaker is extremely heavy.

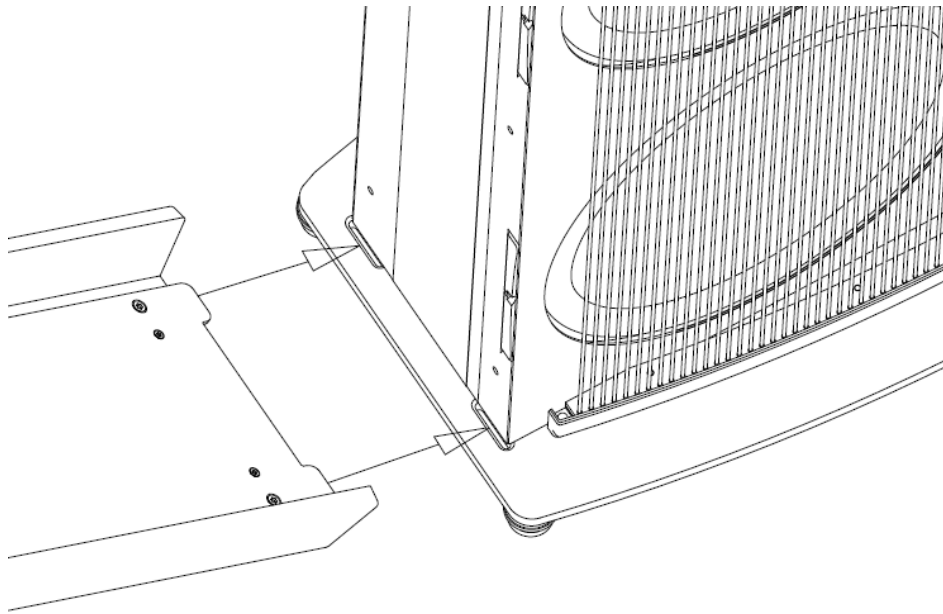


Use the supplied screwdriver to release the Torx bolts (Tx30)

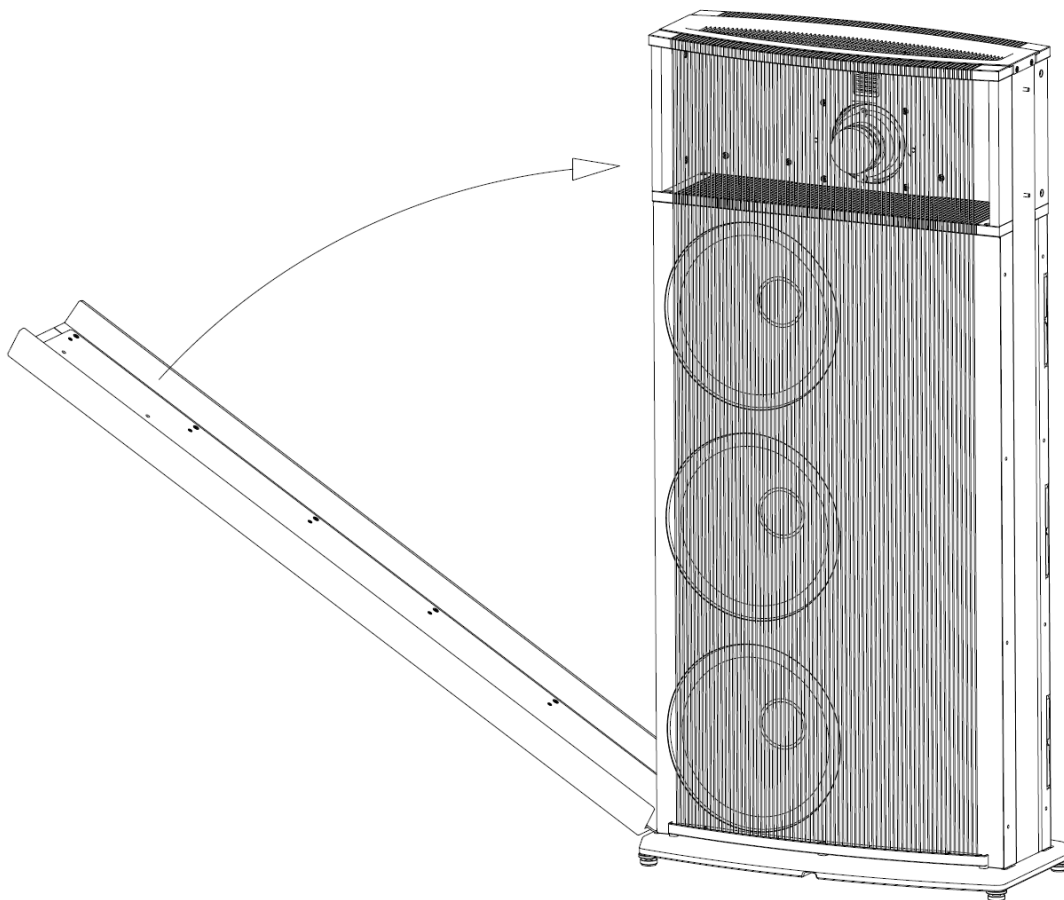


## Mounting of Decorative Panels

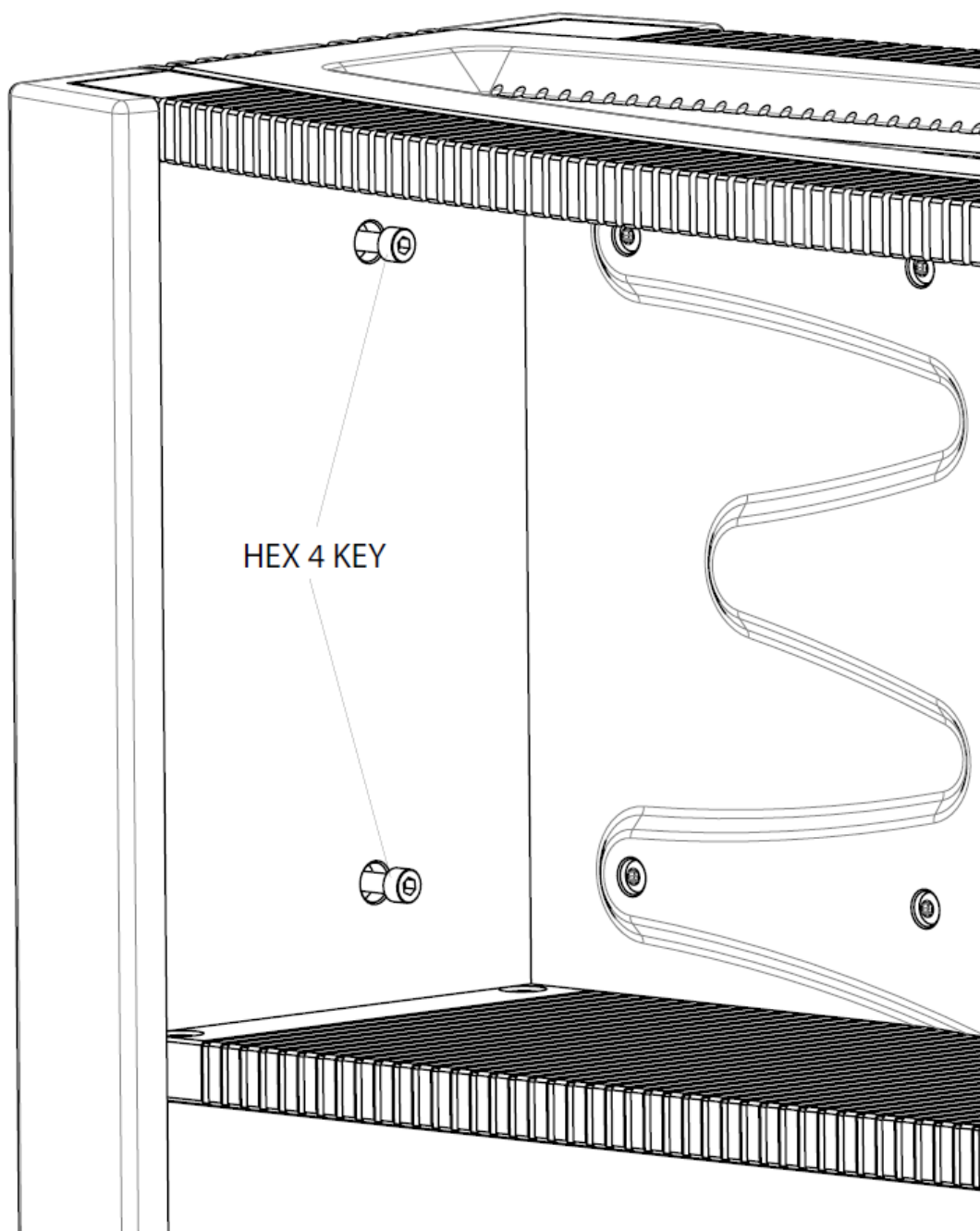
The decorative panels are for covering the area, where the transport sides were attached to the speaker. Set the panel into the slots of the speaker base.



Lift the panel into position



Secure the panels by the Allen bolts fixed in the frame (Hex4)





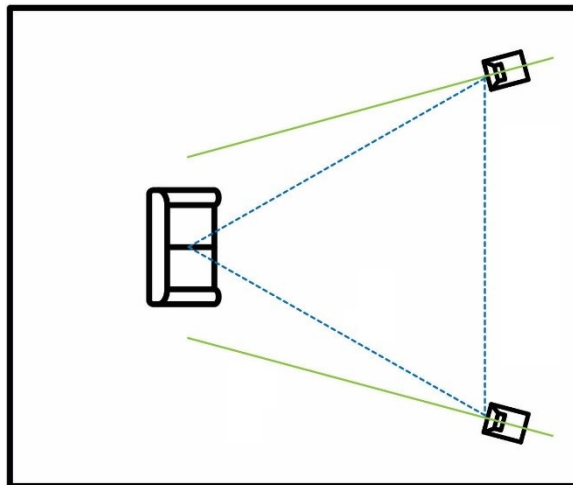
## SYSTEM PLACEMENT IN THE ROOM

### Guidelines for Room Placement

Regardless of speaker positioning, the RoomPerfect™ calibration system will always ensure that the frequency response in the listening position remains the same from both speakers.

Always use your ears for positioning the speakers, but for perfect performance we have the following recommendations:

- The setup should be in accordance with the basic stereo triangle (60x60x60 degrees)
- The speaker should be located at least 1 meter or 3.3 feet away from rear walls.
- The speaker should be located at least 1.5 meter or 4.8 feet away from side walls.
- Both speakers should have the same amount of side reflections, i.e. symmetrical positions in the room relative to adjacent walls.
- The speakers should be toed-in towards the primary listening position by 5-15 degrees, but they should not be aimed directly at your ears. The wider the setup is, the more you need to adjust the toe-in:



If a symmetrical position is impossible and the distance from each speaker to the listening position is different, then this can be compensated digitally by adjusting the setup in the processor. The speaker should be moved back following the guide-lines for toe-in.

## CONNECTION OF EQUIPMENT

### Speaker Cable Wiring

The Model B Music System is connected to the A2 amplifiers through speaker wire fitted with Speakon connectors.



### A2 DIP Switchboard Addressing

The DIP switchboard on the back of each A2 amplifier must be set for correct identification of the speaker connected to it.

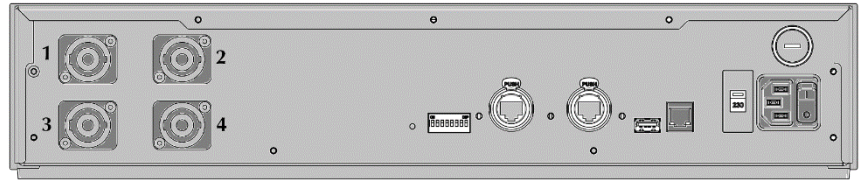


### Daisy-Chaining

The two Model A2 amplifiers must be connected in Daisy-Chain – one cable from LINK A output from the processor to Steinway Link IN on the first A2 amplifier (ID#0) – one cable from Steinway Link OUT on the first A2 amplifier (ID#0) to Steinway Link IN on the second A2 amplifier (ID#1)

DIP 8 must be adjusted for either termination or transmission. Switch DIP 8 to lower position on the first A2 amplifier (ID#0). Switch to upper position on the second A2 amplifier (ID#1).

## Left Side / Stereo Setup

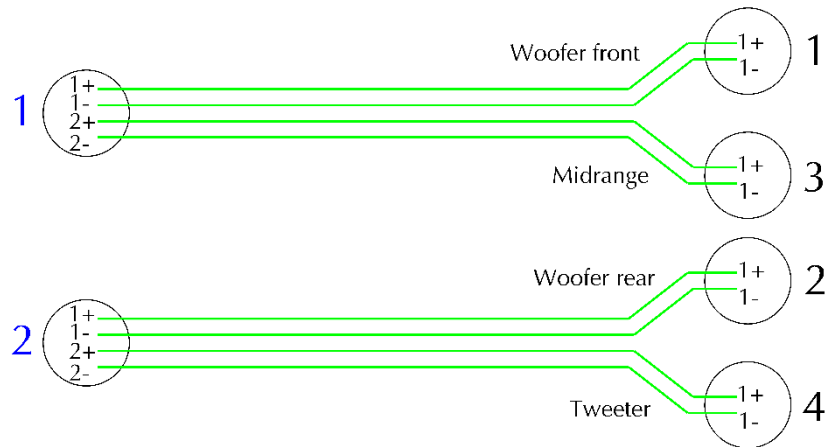


ID#0  
LEFT

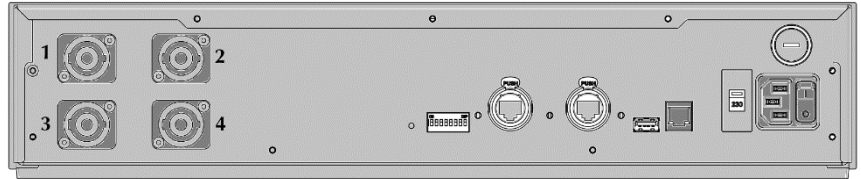


1

2



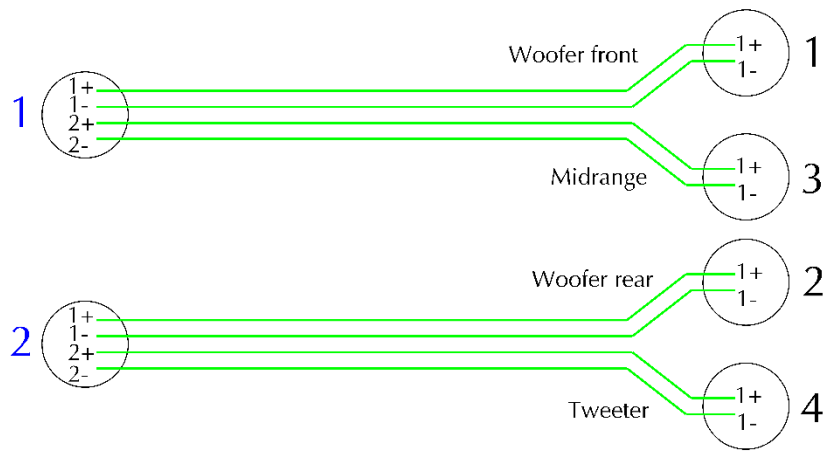
## Right Side / Stereo Setup



ID#1  
RIGHT

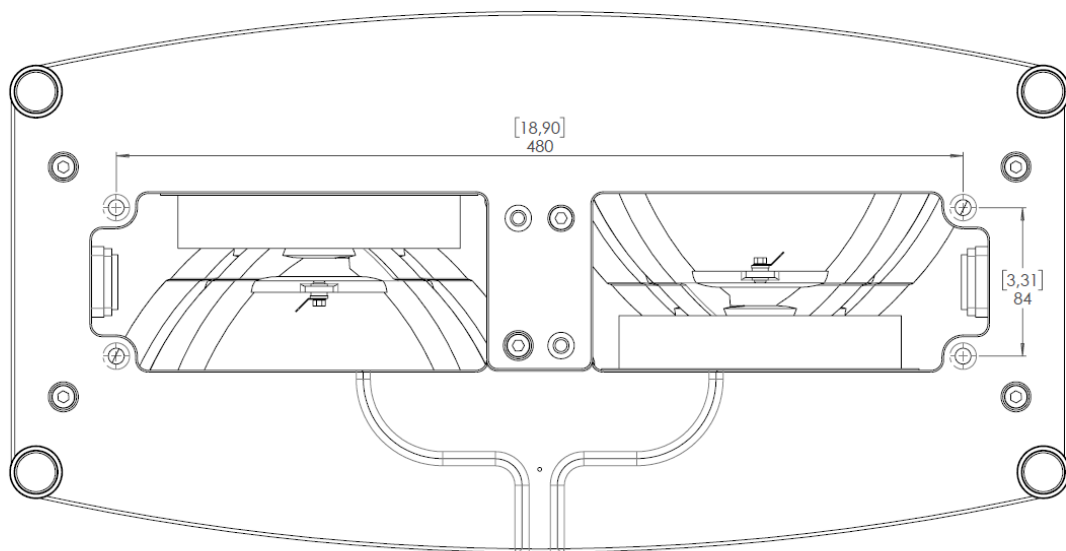


The switch 8 is activated, as the link is terminated



## FIXED INSTALLATION

The base of the Model B allows for fixed installations with up to M8 bolts through the floor.



## ROOM CORRECTION INTRODUCTION

Why do you need room correction? The characteristics of your room affect the sound that reaches your ears. In any system, more than 50% of the sound you hear comes from the contribution of the room, echoes, reflections, absorption, and the like.

Follow the instructions of the Installation Manual of the processor, but note that during measurements, you can work, talk and move around in the room. But the measurements will last longer depending on the level of background noise.

## CLEANING THE SPEAKER

Polish the system for perfect appearance with a micro fiber cloth. Dust and fingerprints are highly visible on the black piano gloss lacquer. If necessary, moisten your cloth with distilled or demineralized water only.

DO NOT use ordinary furniture polish or cleaning agents as these usually contain wax or silicone that may cause damage to the surfaces.

## STORING THE SPEAKER

The Model B features wooden constructions with high gloss lacquered finish as well as high end electronics. Electronics as well as wooden constructions are vulnerable for sudden changes in temperature as this will cause cracks in the wooden constructions and cause serious degradation of the lifetime of the electronic circuitry.

The products should thus be kept and stored in stable conditions with temperatures between 10° to 25° Celsius and with a relative humidity level between 50% and 55%.

## REPACKING OF MODEL B MUSIC SYSTEM

In case the system components are to be moved to another location repacking into the original shipping crates is necessary, as the weight and vulnerable surfaces are causes of concern.

## SERVICE INFORMATION

To obtain warranty service, you must contact your representative from Steinway Lyngdorf, or you may email [service@steinwaylyngdorf.com](mailto:service@steinwaylyngdorf.com).

In some cases, the Customer Service Department may solve a service problem without the need of repair or any other measures, thereby avoiding further inconvenience or delay. In some cases, it may be necessary to return the equipment to Steinway Lyngdorf or an authorized service provider for repair; therefore, it is recommended that you save your original packing materials. Steinway Lyngdorf will not be responsible for any damage due to unauthorized packing or shipment in non-original packing materials. If return is made in authorized packaging, risks are borne by Steinway Lyngdorf. Additional charges may occur if new packing materials are required for return shipment.

STEINWAY LYNGDORF